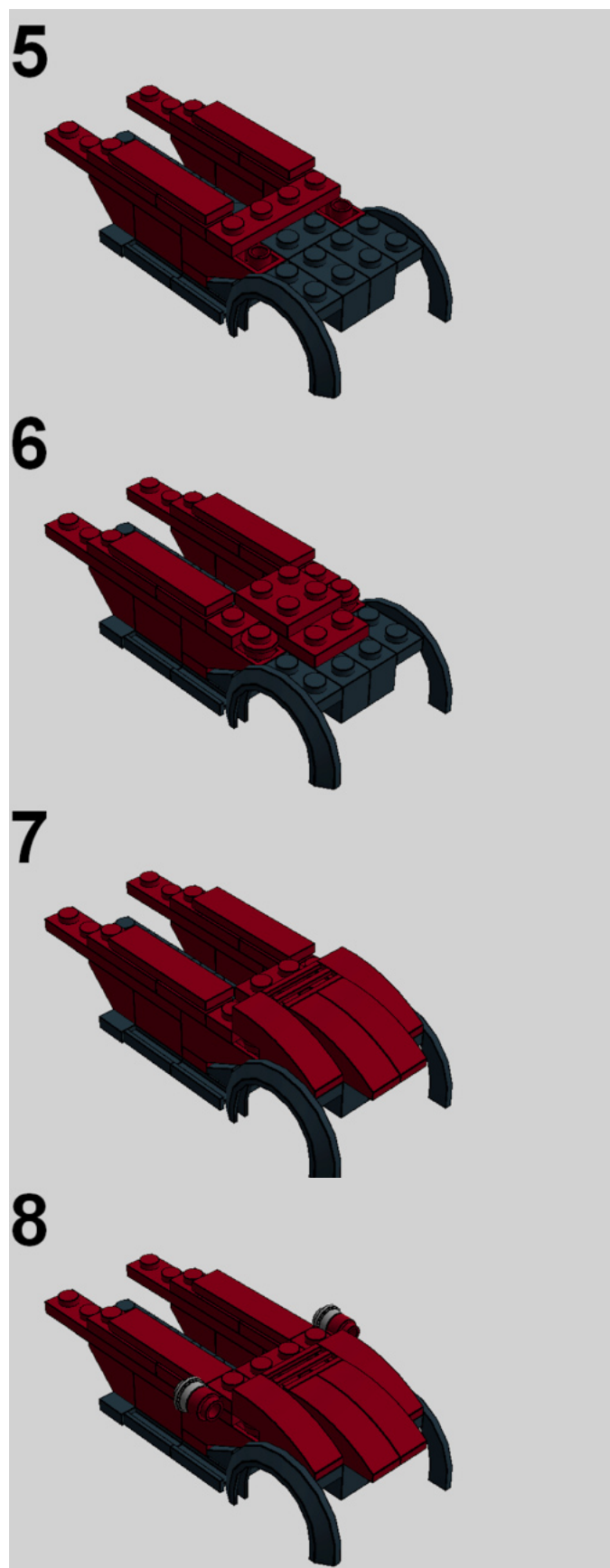
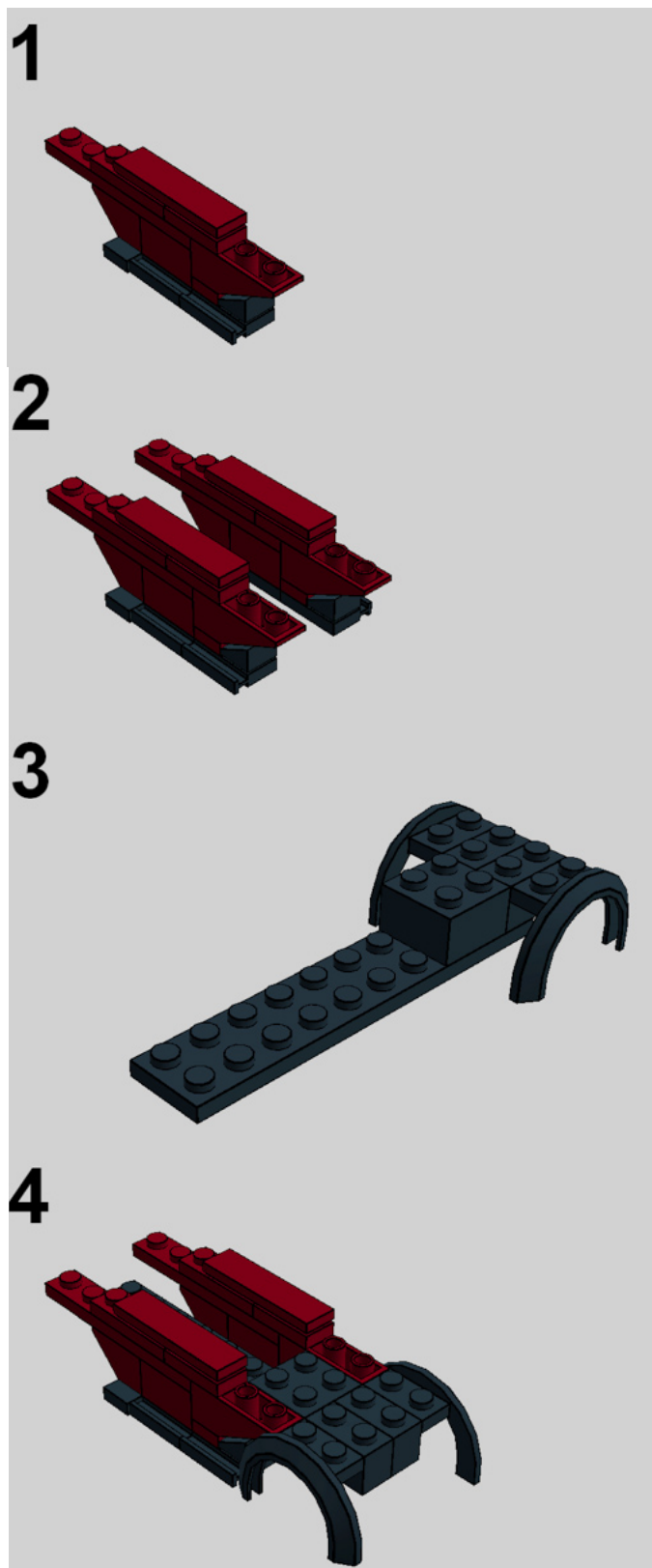
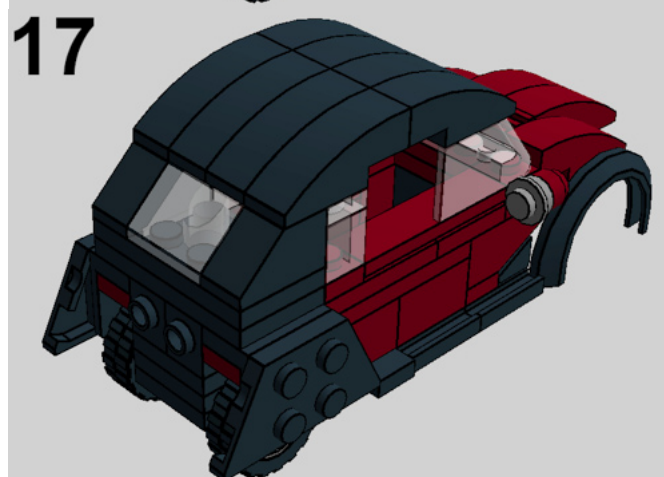
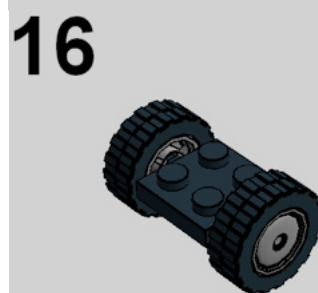
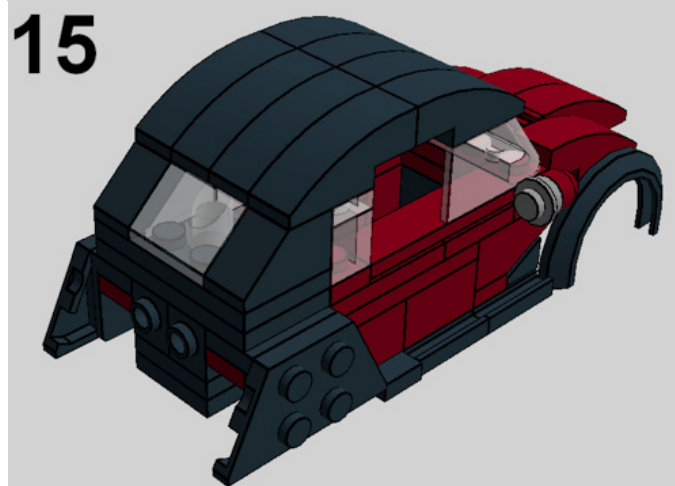
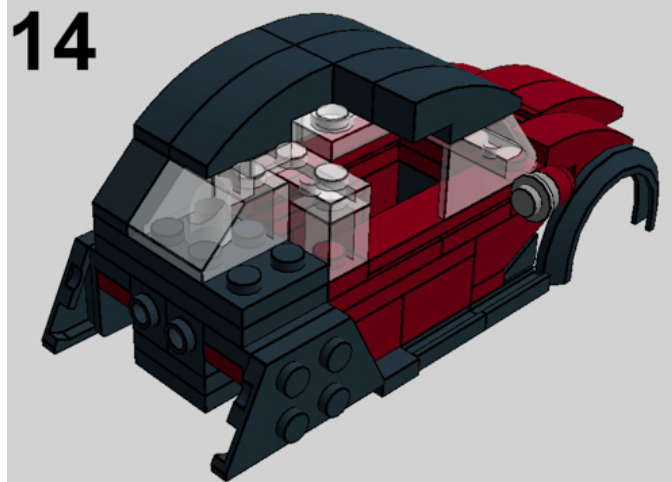
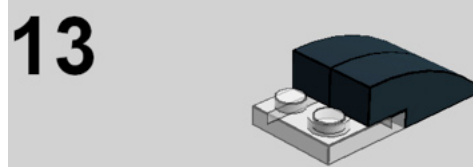
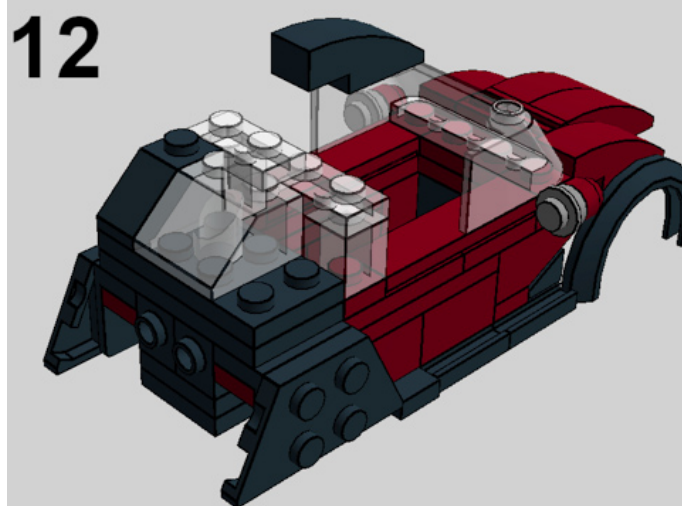
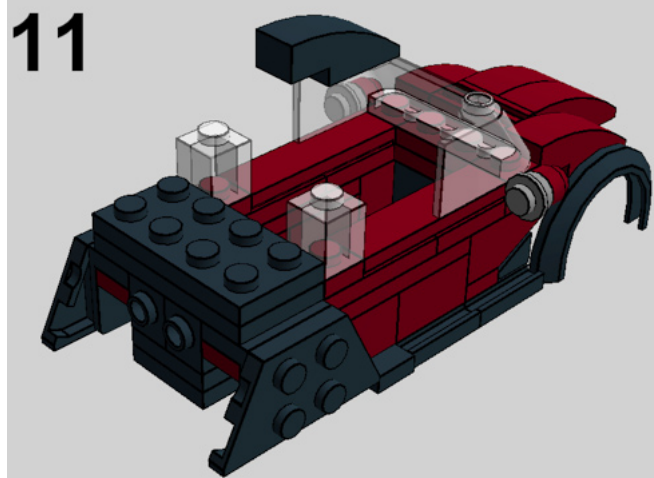
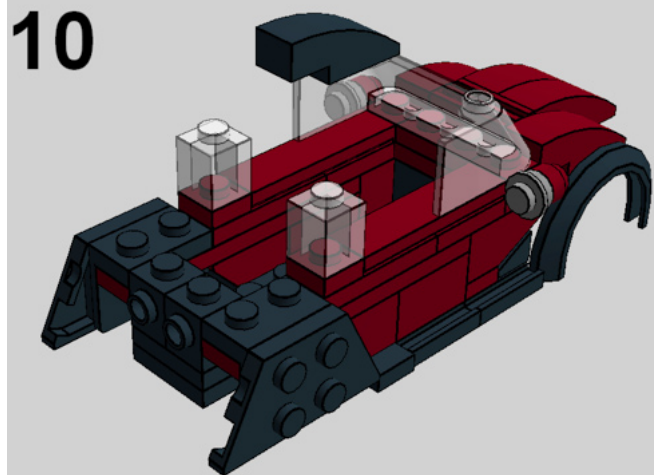
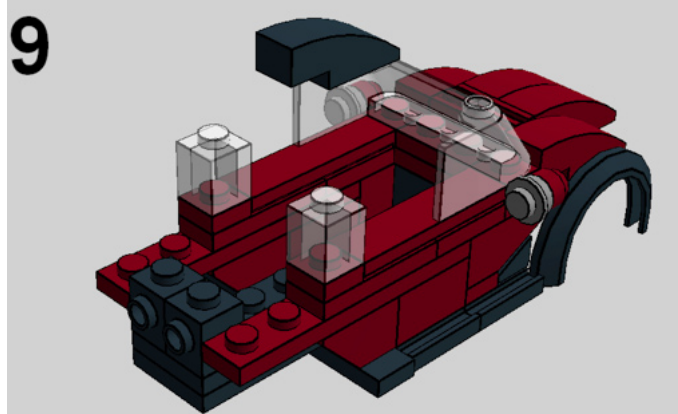


# Model: 1980 Citroën 2CV Charleston

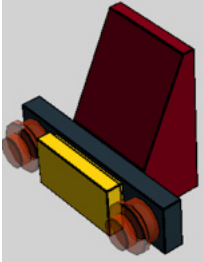
Number of parts: 107

Created by Henrik Hoexbroe, 2012.  
<http://www.mocpages.com/home.php/19323>

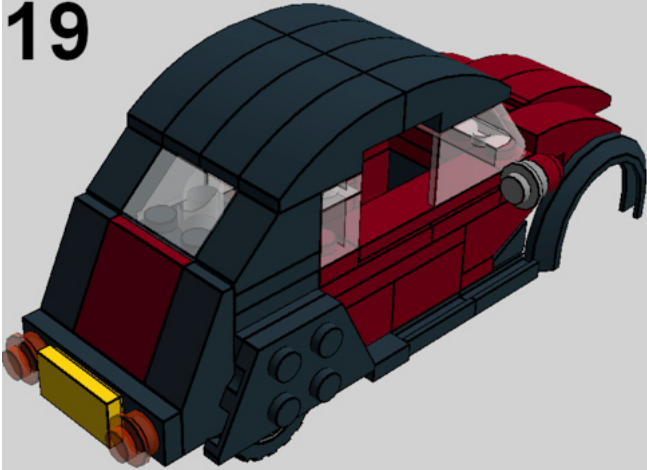




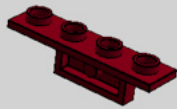
18



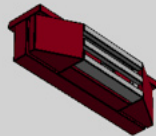
19



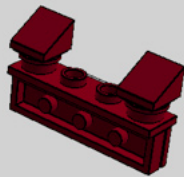
20



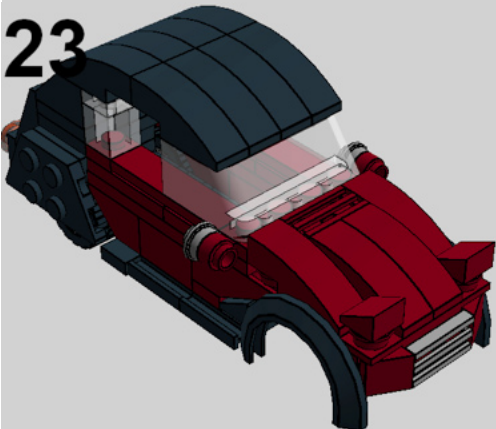
21



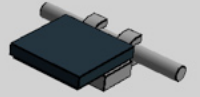
22



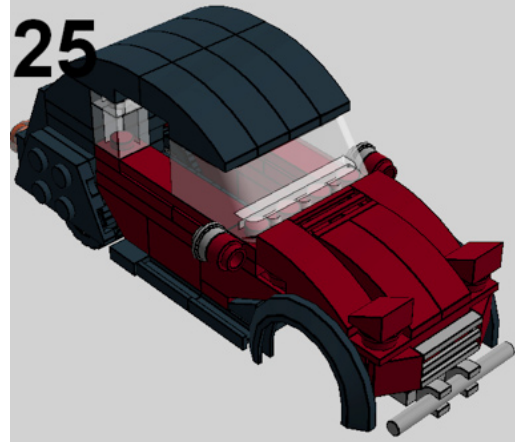
23



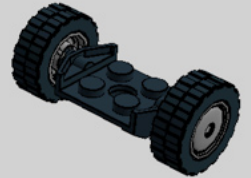
24



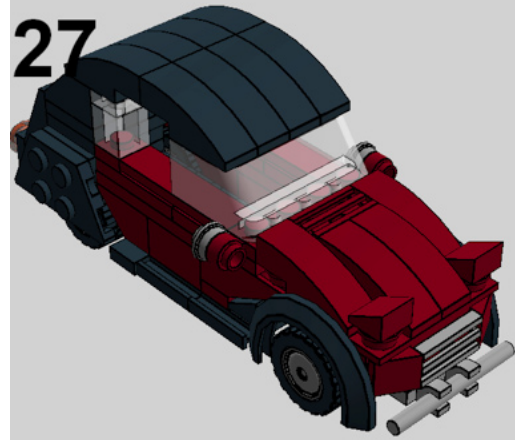
25



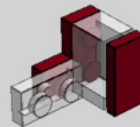
26



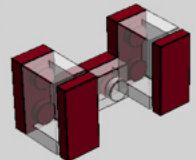
27



28

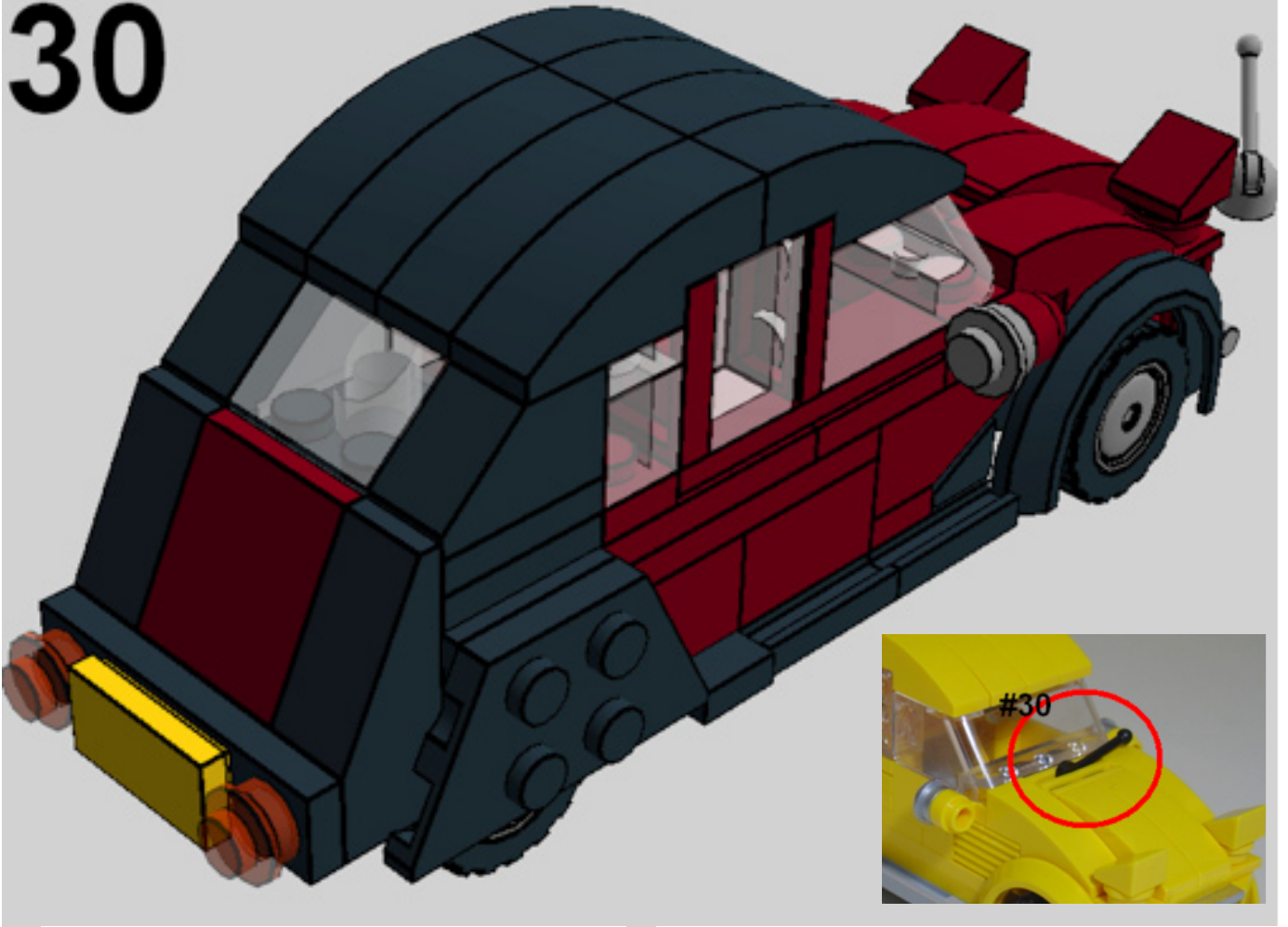


29





# 30



- |    |  |    |  |    |  |    |  |    |  |    |  |
|----|--|----|--|----|--|----|--|----|--|----|--|
| 2x |  | 2x |  | 2x |  | 2x |  | 1x |  | 1x |  |
| 1x |  | 2x |  | 2x |  | 4x |  | 4x |  | 1x |  |
| 4x |  | 2x |  | 2x |  | 1x |  | 1x |  | 1x |  |
| 2x |  | 2x |  | 1x |  | 2x |  |    |  |    |  |
| 1x |  | 8x |  | 4x |  |    |  |    |  |    |  |
| 4x |  | 1x |  | 3x |  |    |  |    |  |    |  |
| 2x |  | 2x |  | 2x |  |    |  |    |  |    |  |
| 2x |  | 1x |  | 2x |  |    |  |    |  |    |  |
| 1x |  | 2x |  | 2x |  |    |  |    |  |    |  |
| 2x |  | 1x |  | 4x |  |    |  |    |  |    |  |
| 2x |  | 2x |  | 2x |  |    |  |    |  |    |  |
| 1x |  | 1x |  | 2x |  |    |  |    |  |    |  |
| 1x |  | 2x |  | 2x |  |    |  |    |  |    |  |
| 1x |  | 4x |  | 1x |  |    |  |    |  |    |  |

# 94