

# Instructions: Freight Car

Model designed by Michael Pianta (scruffulous) using LDraw and MLCad.

Instructions created by Teunis Davey using LDD and Blueprint.

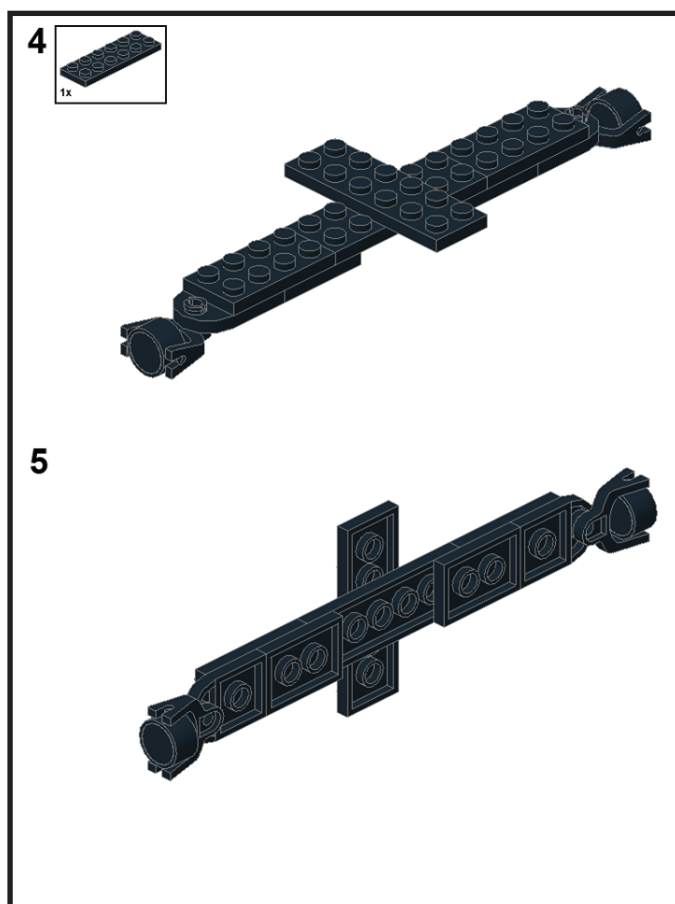
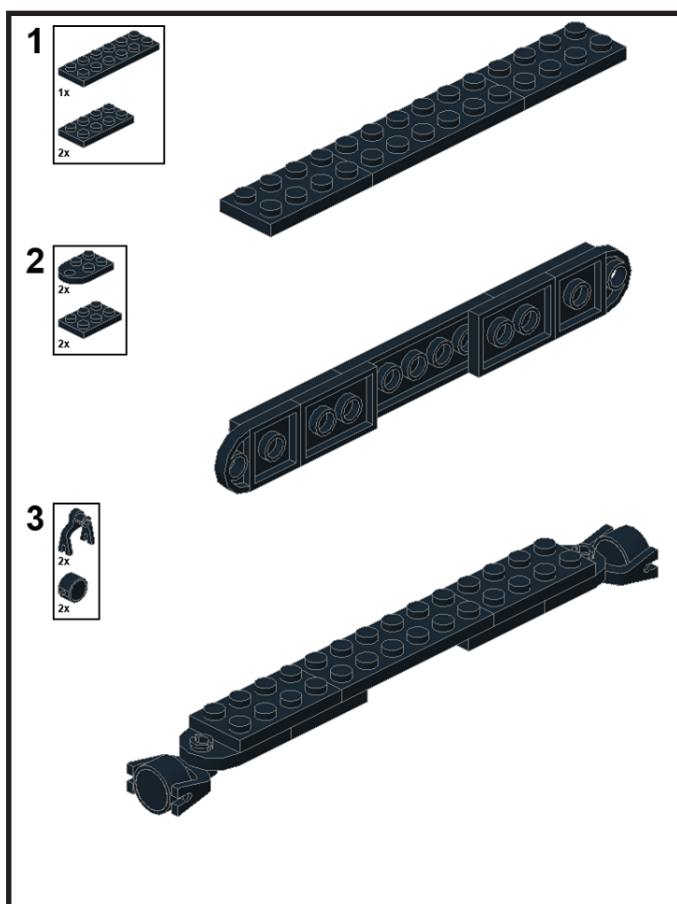
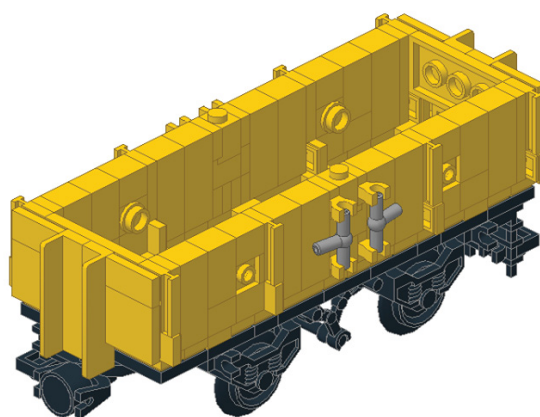
Teunis Davey and Michael Pianta (scruffulous) are foundation members of the Victorian Railways L-Gauge Modellers (VR>LGM, <https://www.facebook.com/TheSpiritofProgress/>). They both enjoy modelling Victorian Railways prototypes (that is trains from Victoria, Australia), as well as Victorian buildings and scenery, in LEGO®.

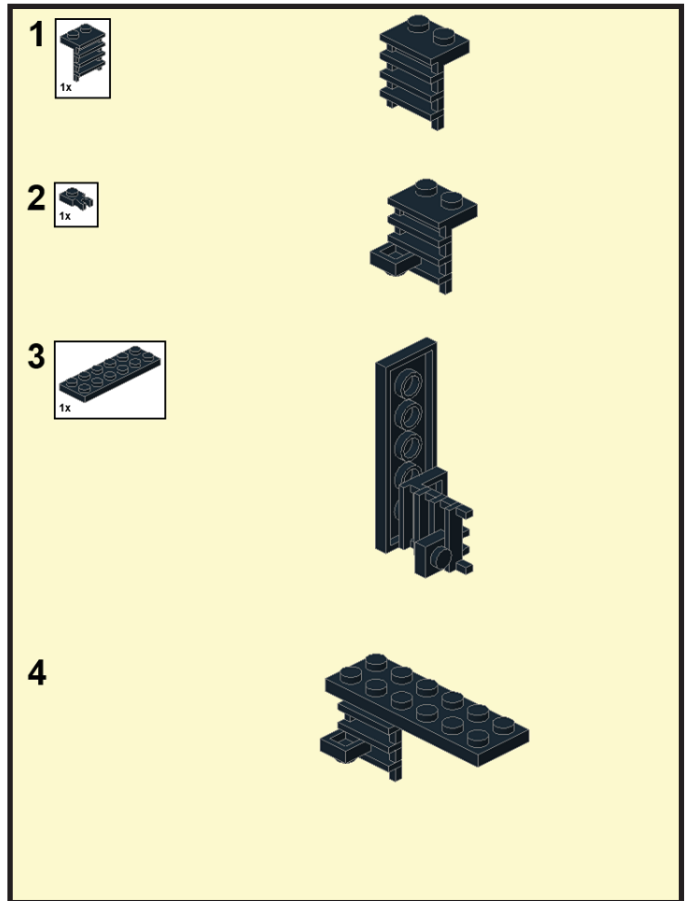
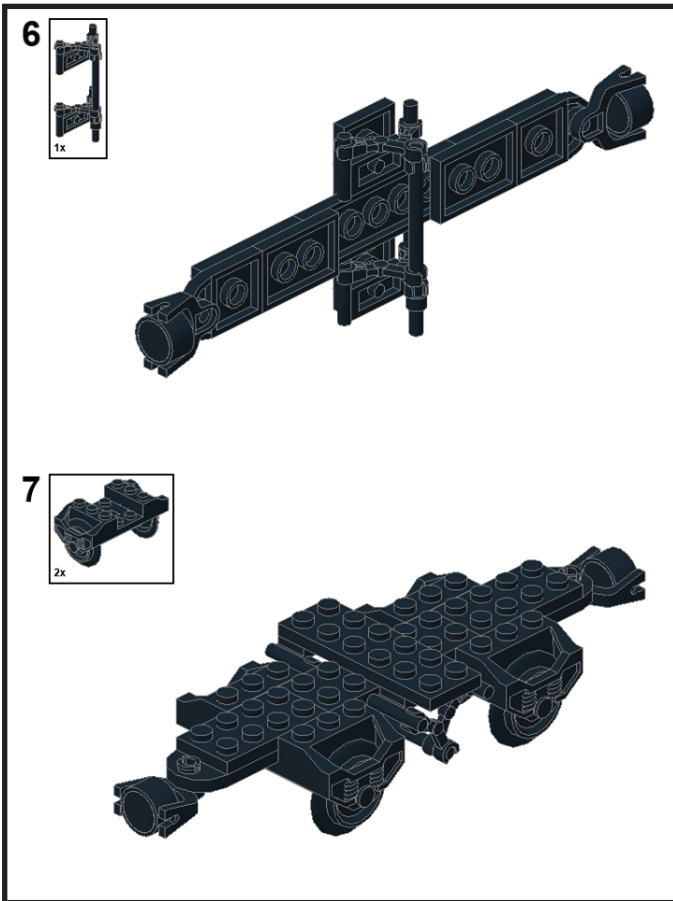
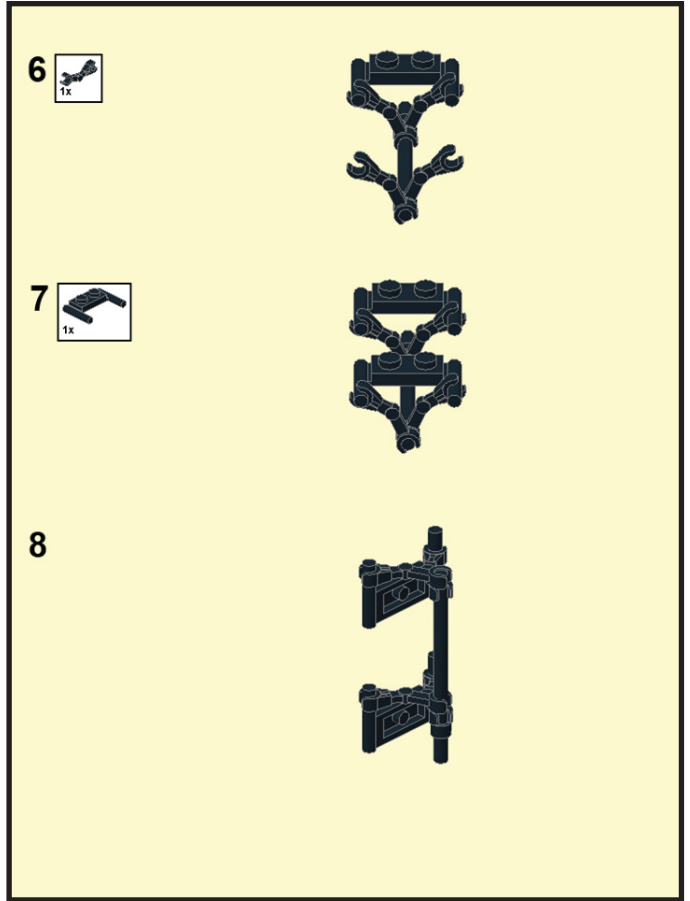
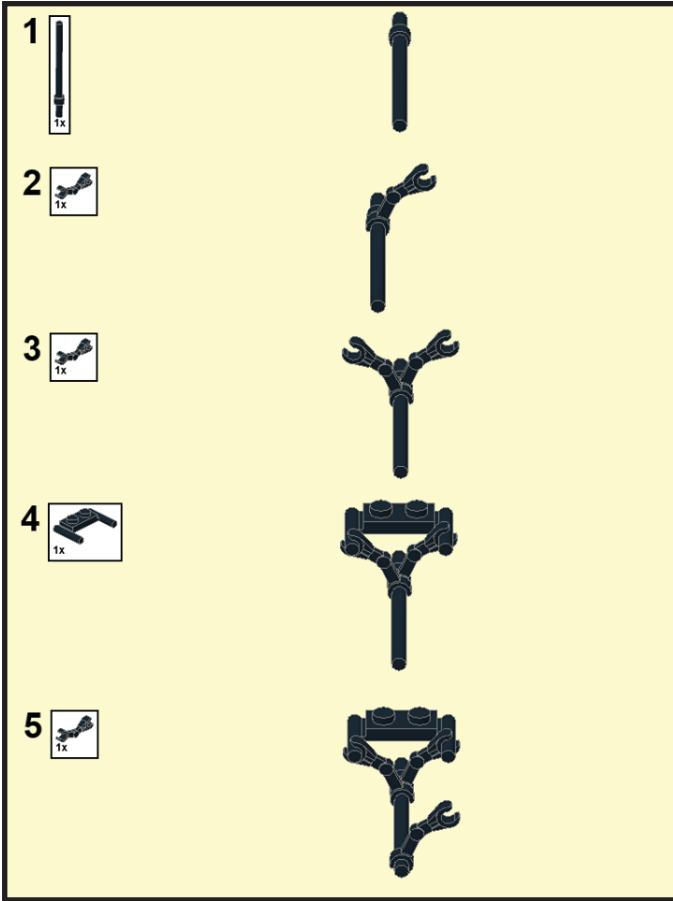
You can see more of their models in the following galleries:

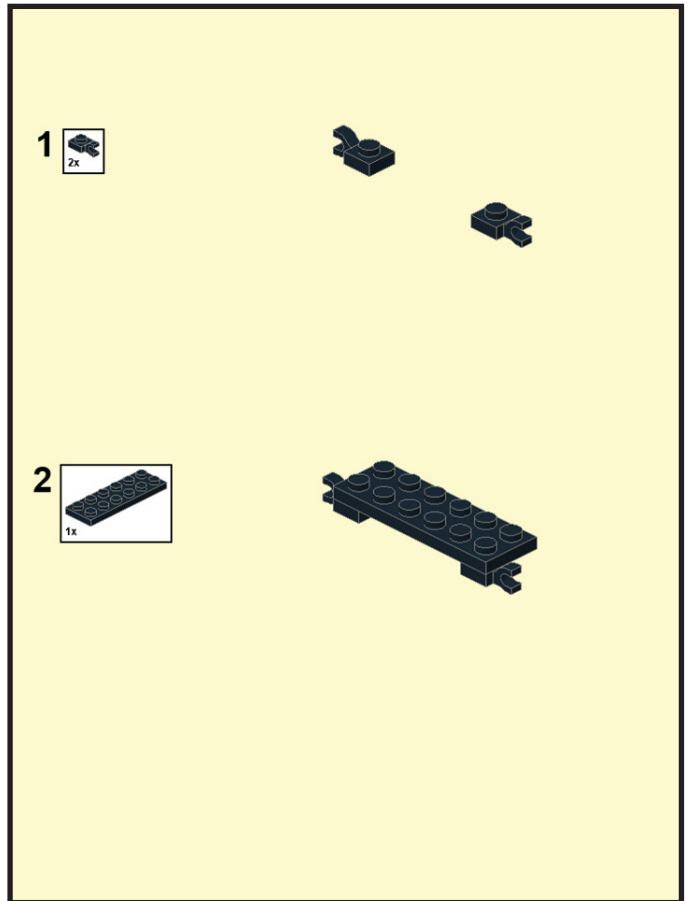
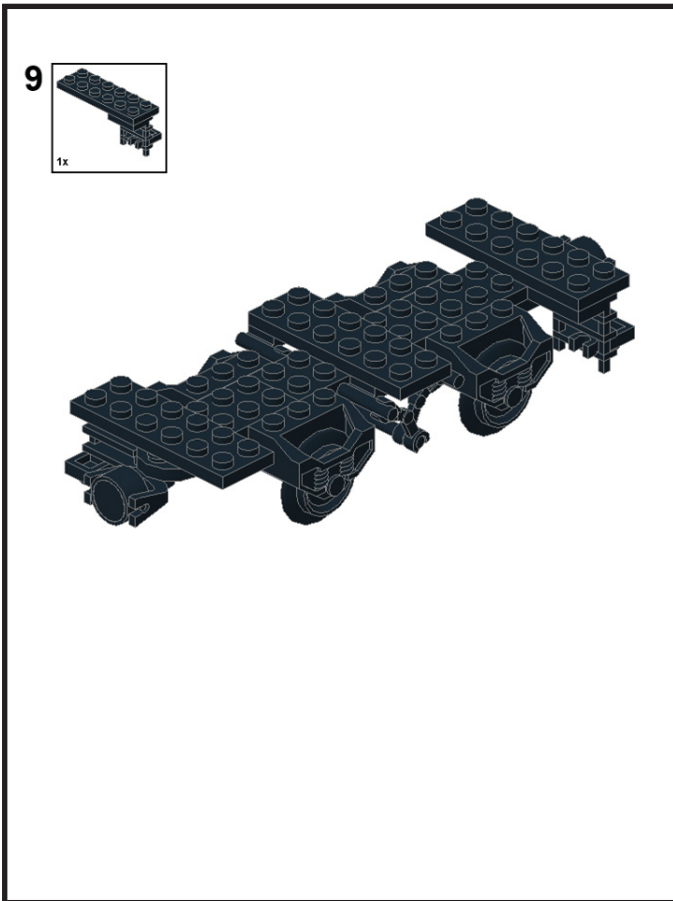
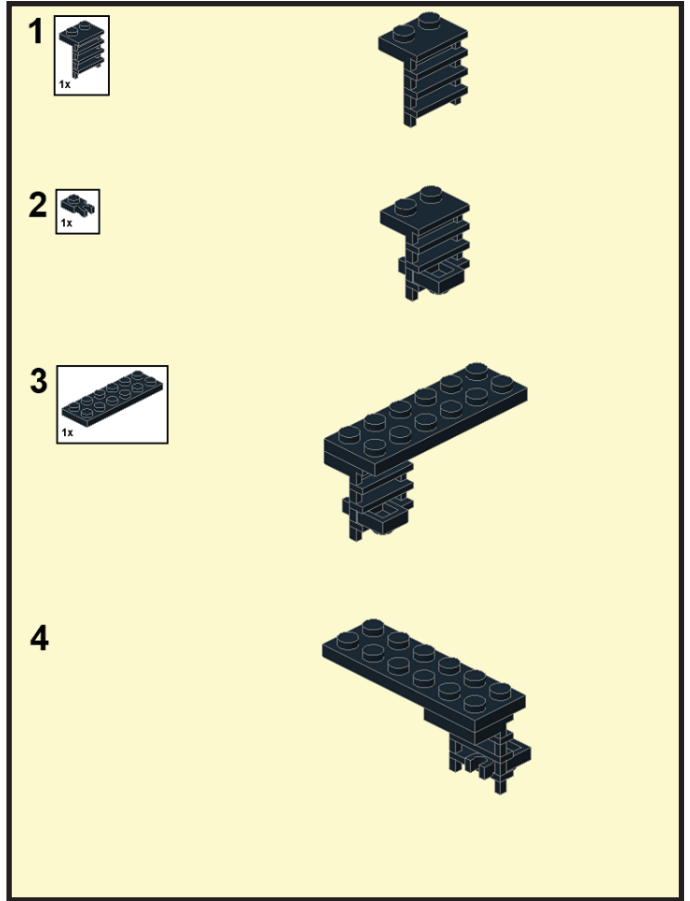
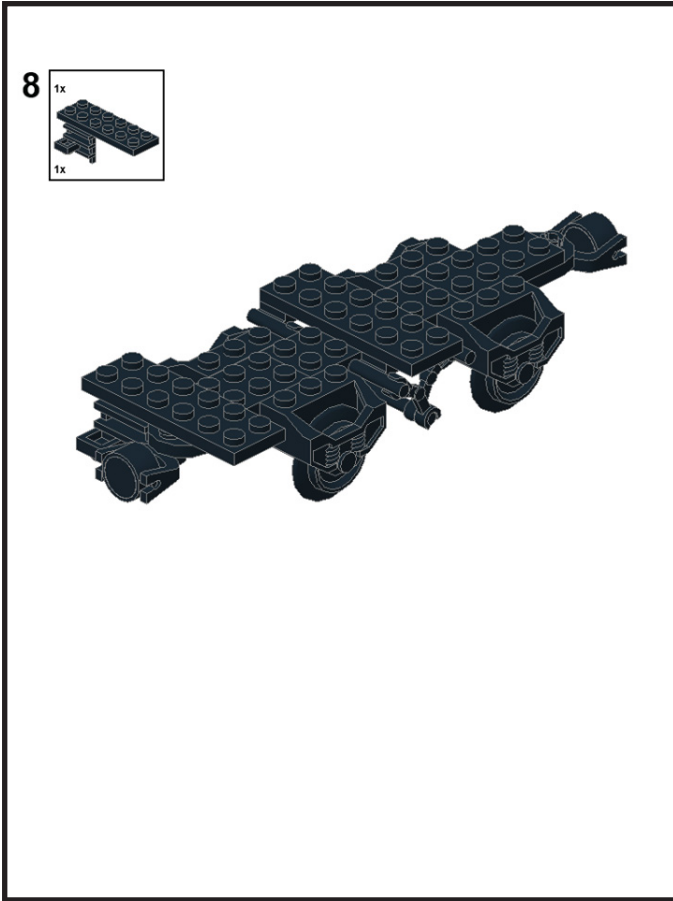
Teunis Davey: <https://www.facebook.com/teunis.davey>

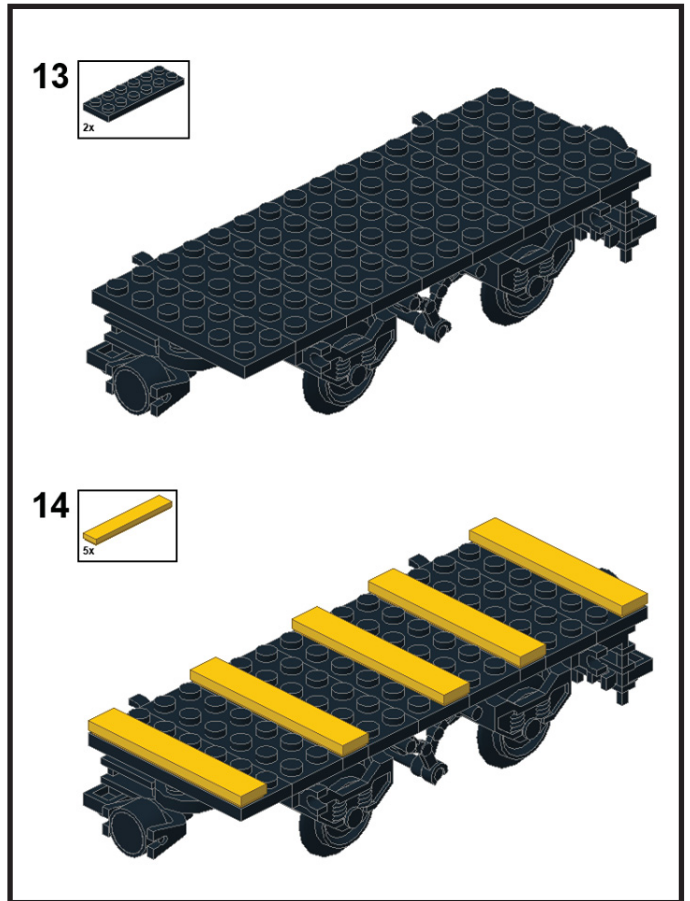
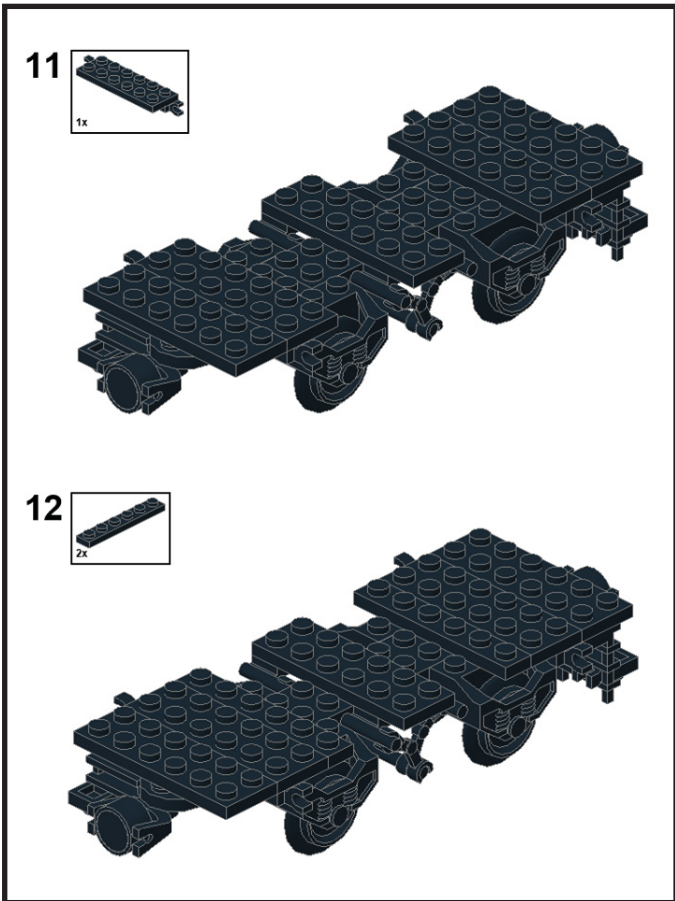
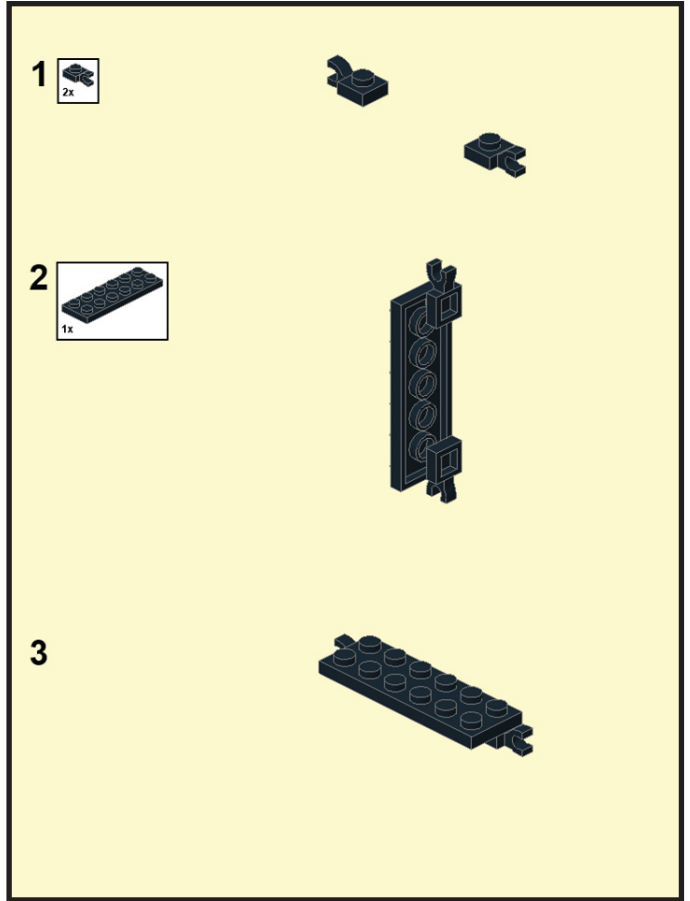
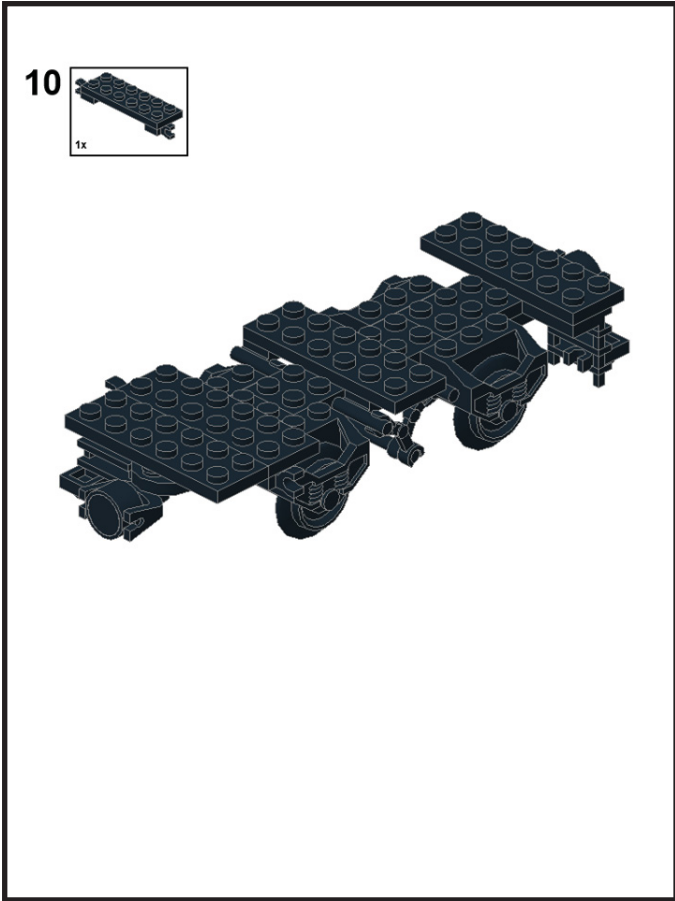
Michael Pianta (scruffulous): <https://www.flickr.com/photos/scruffulous/>

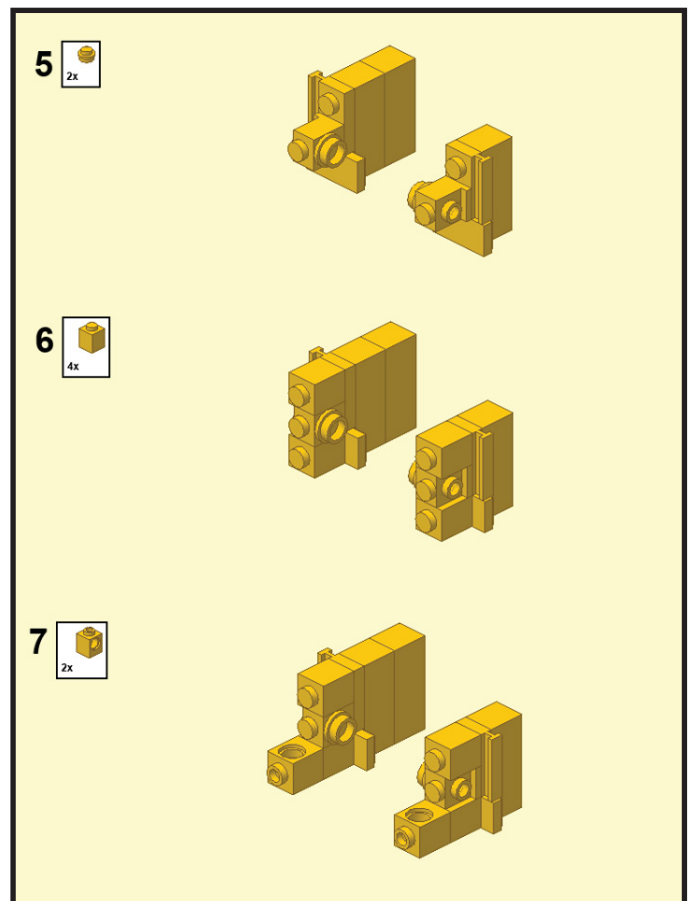
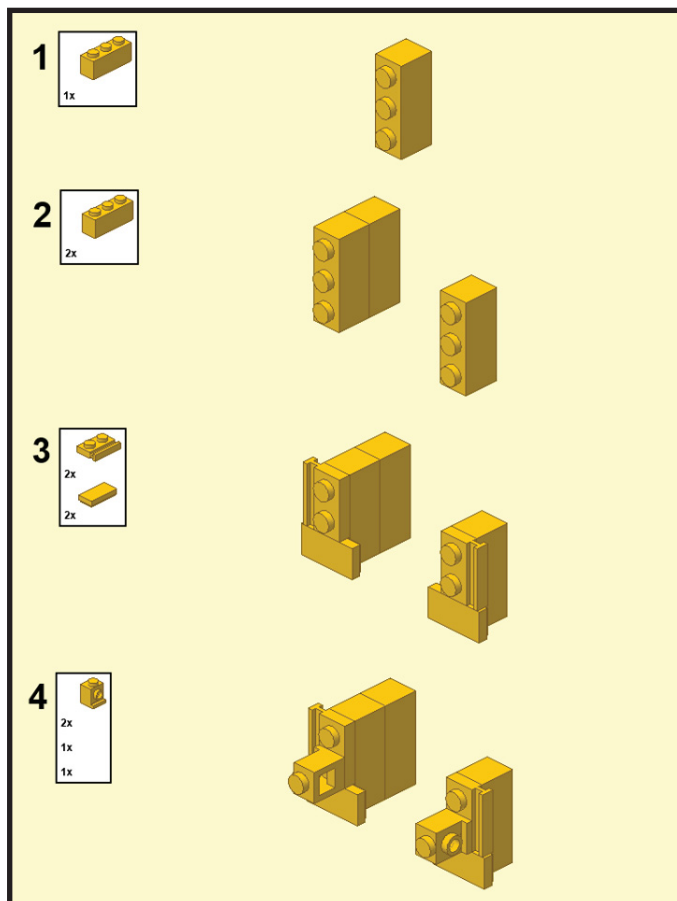
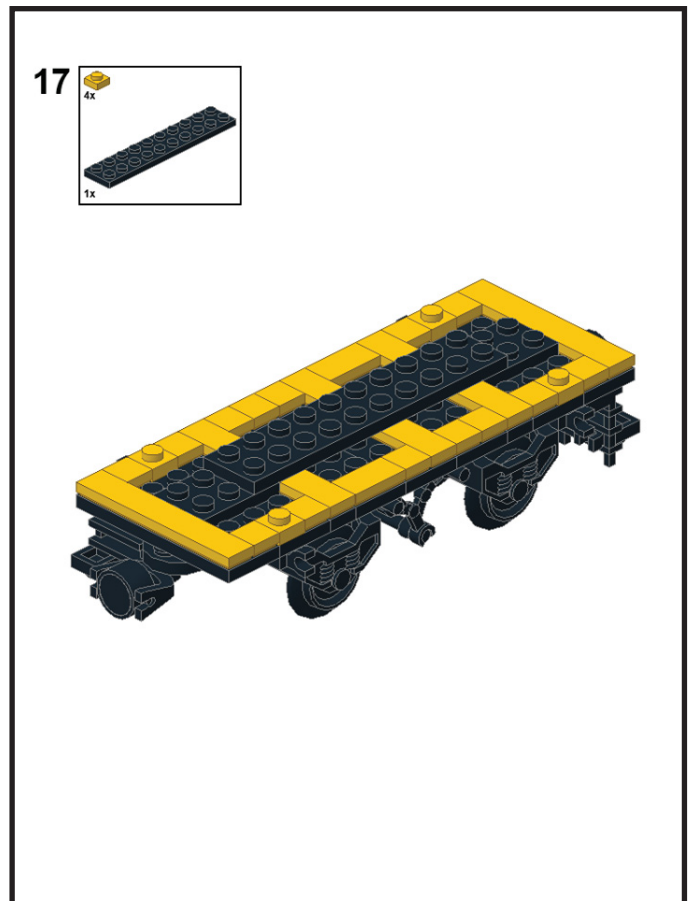
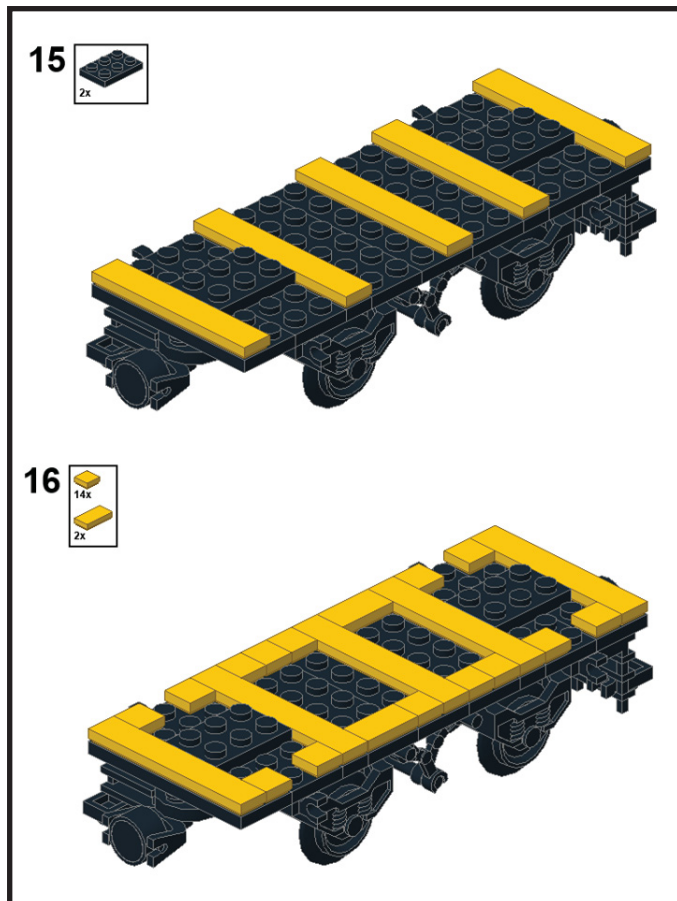
#



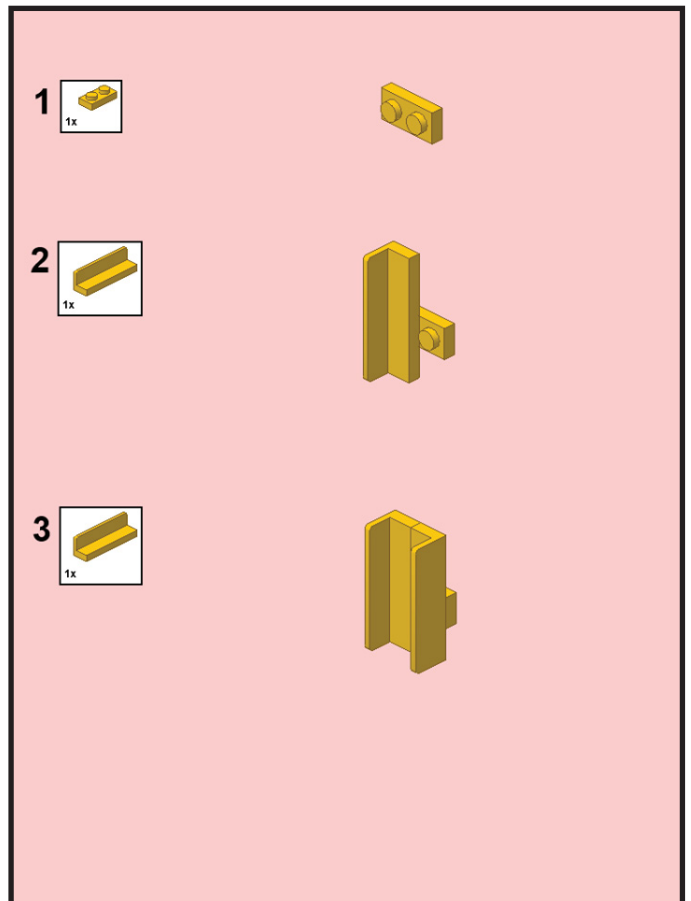
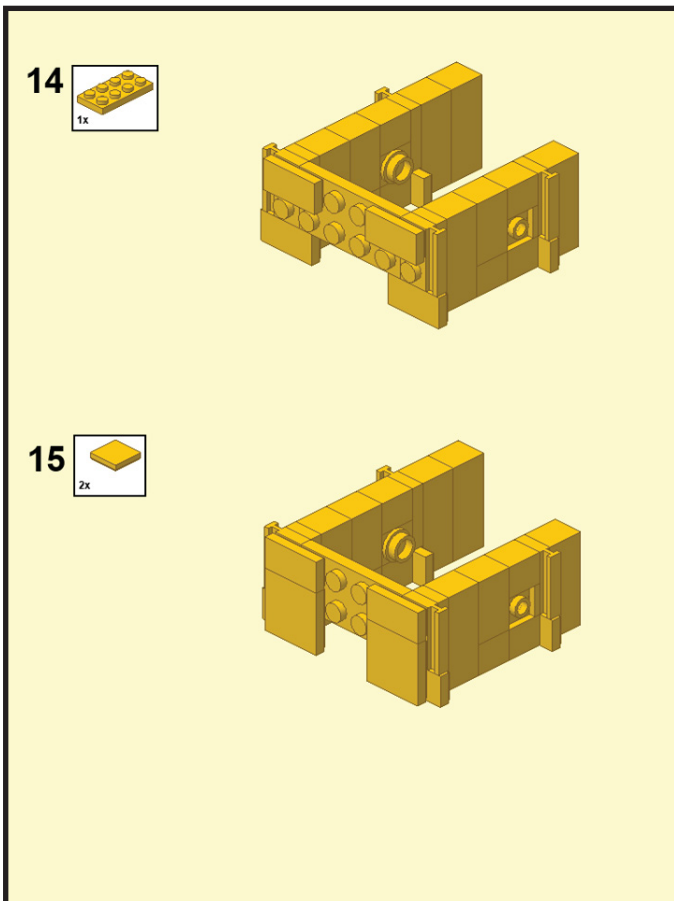
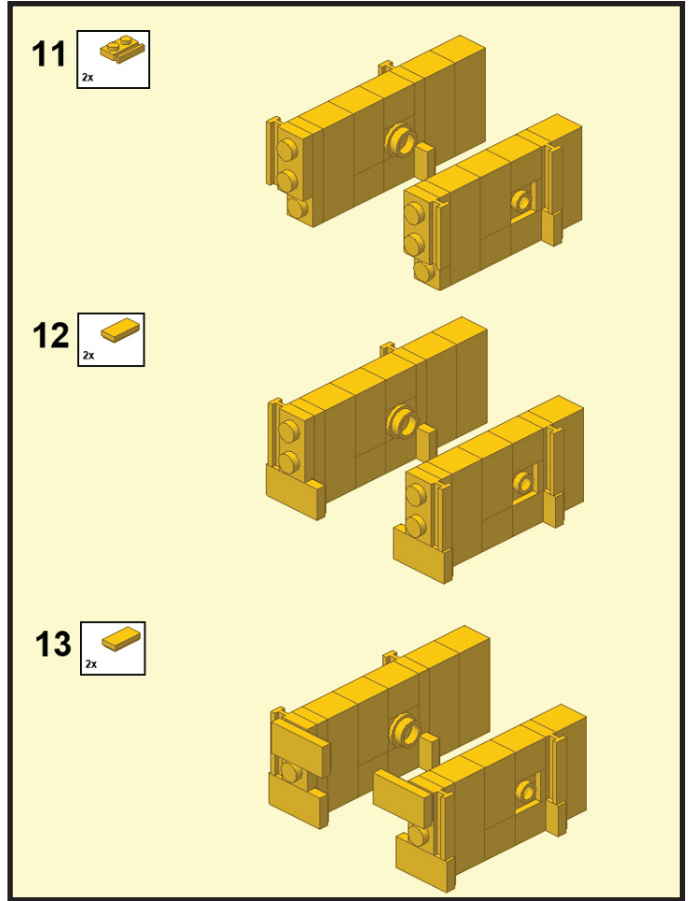
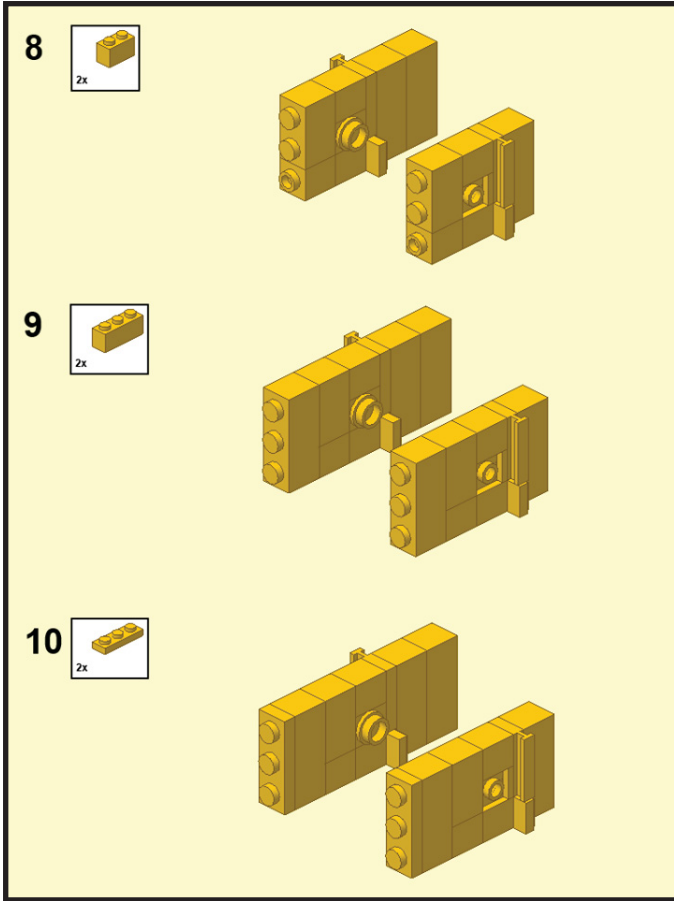


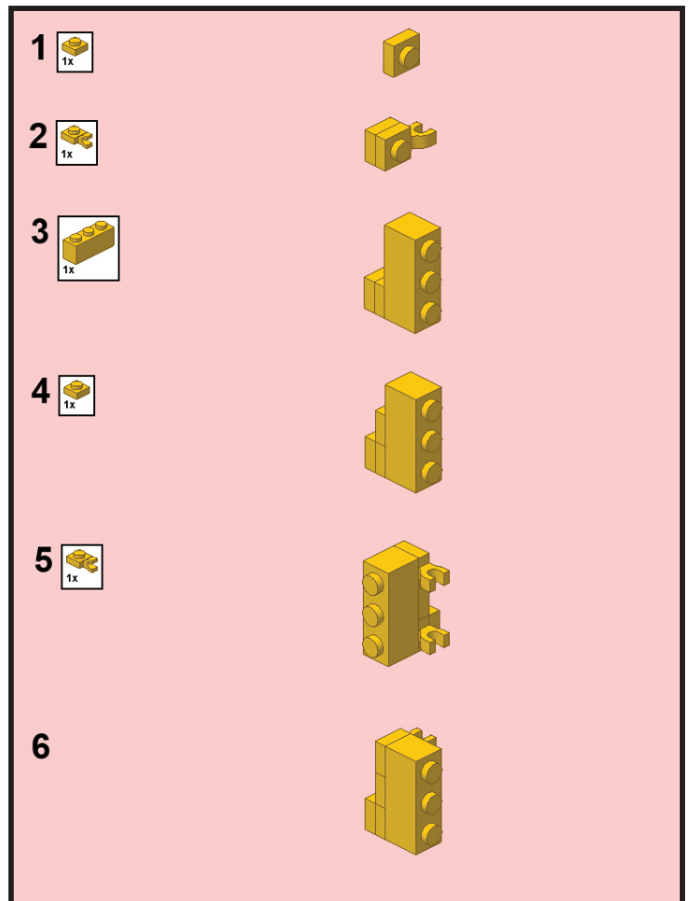
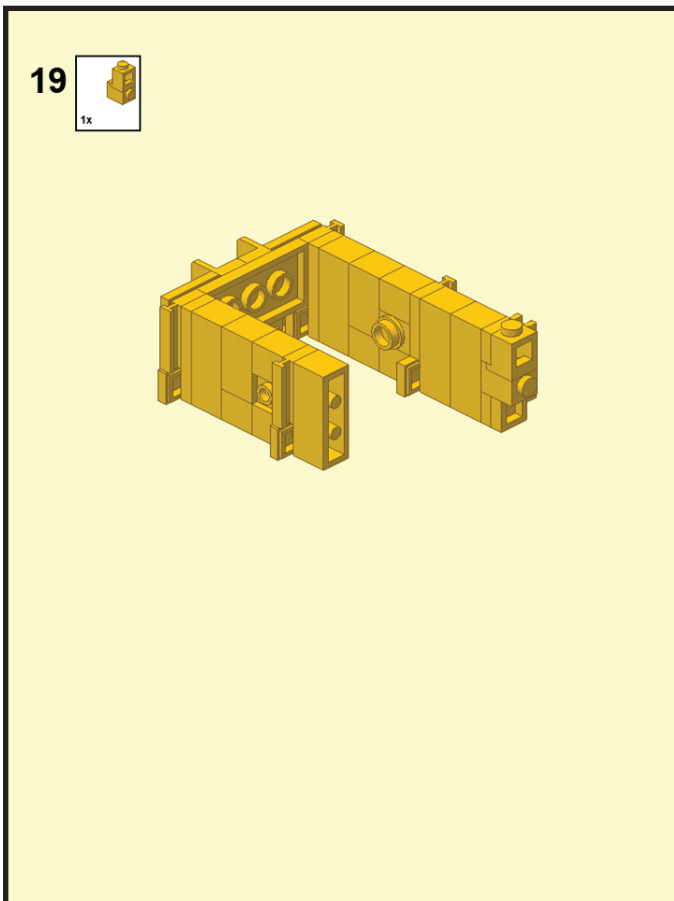
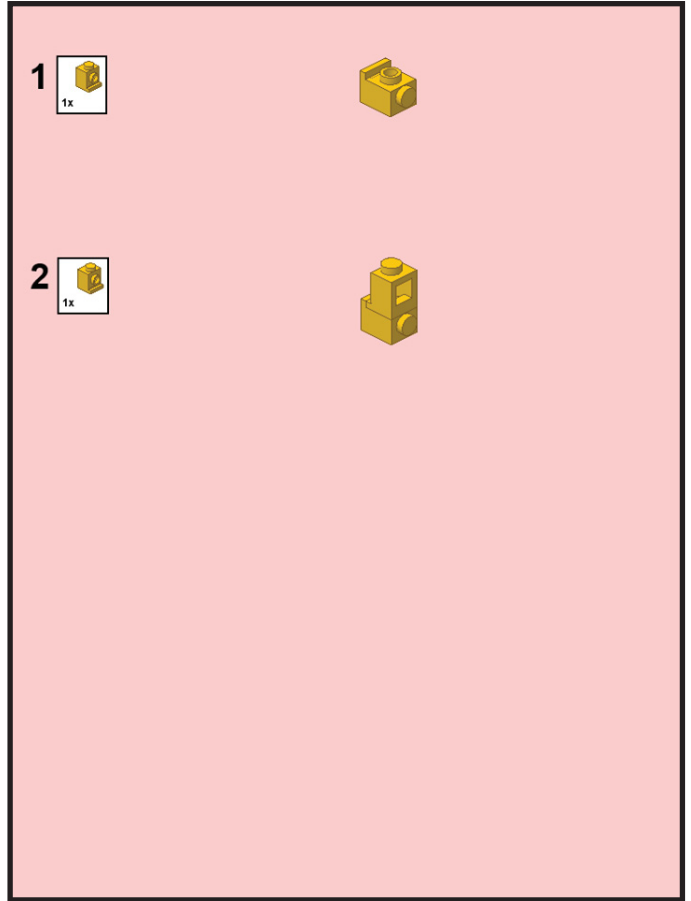
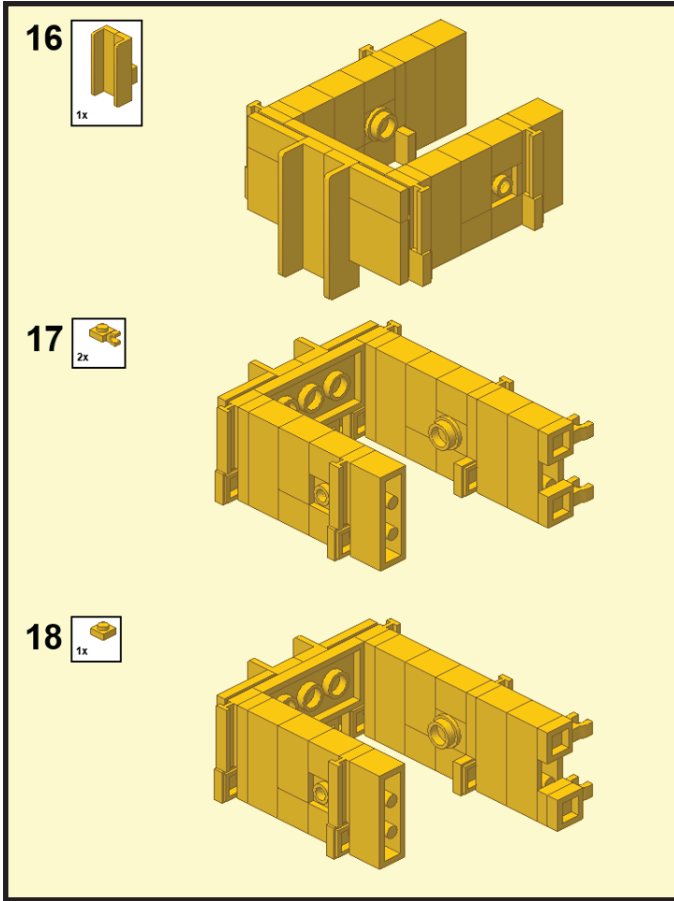


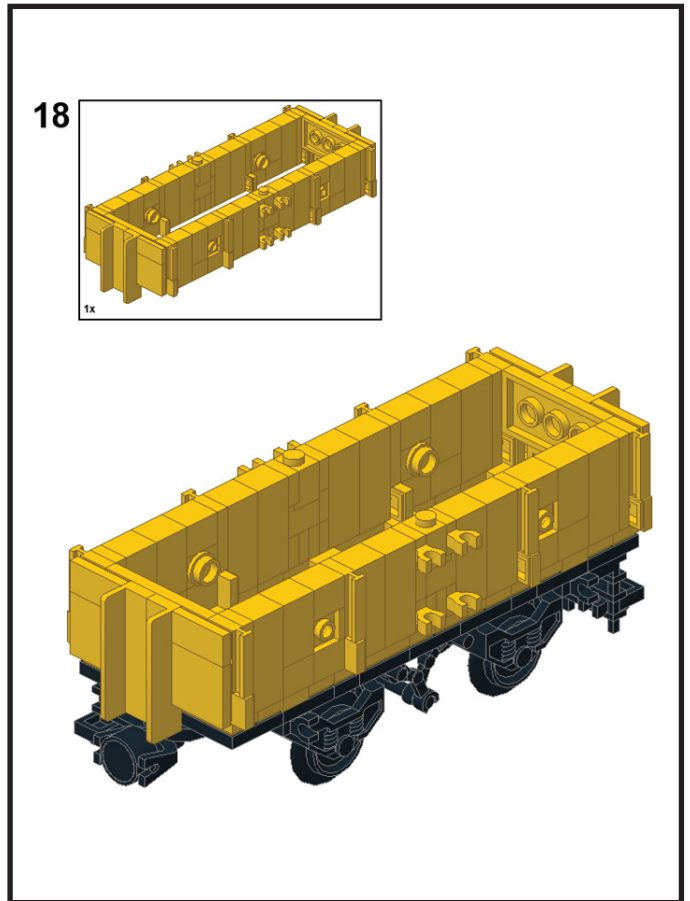
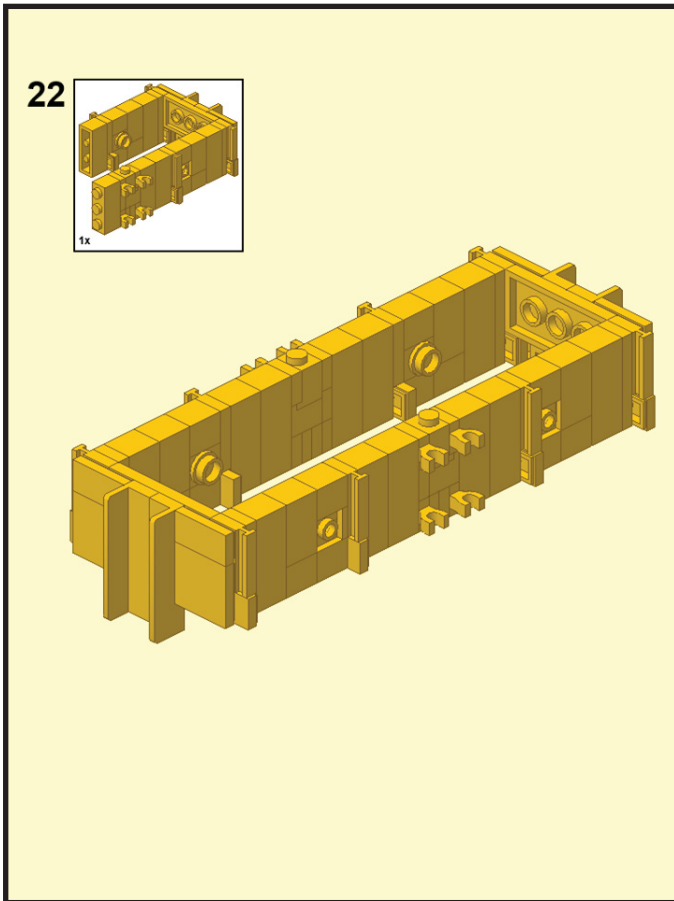
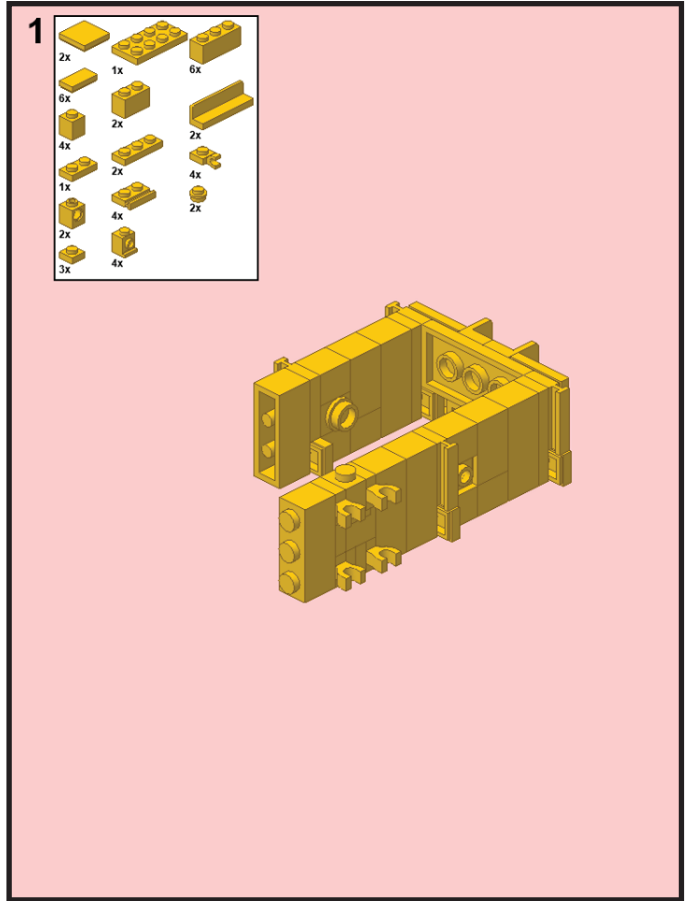
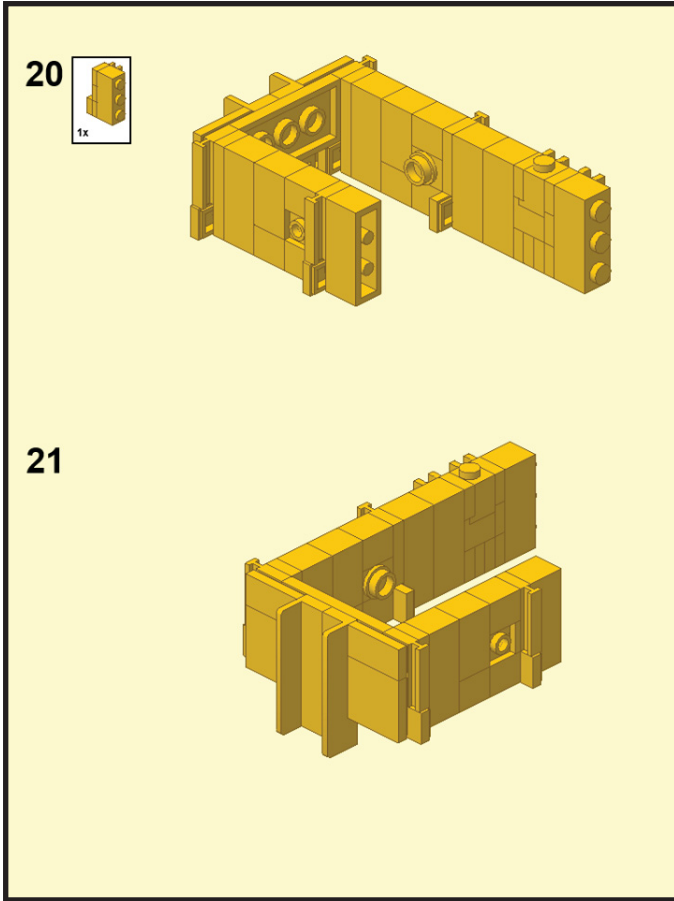






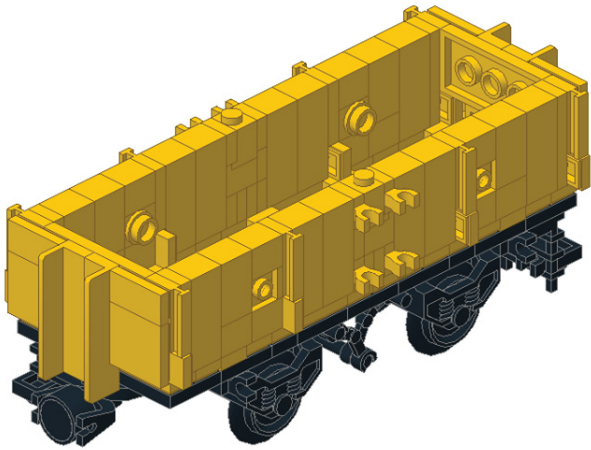




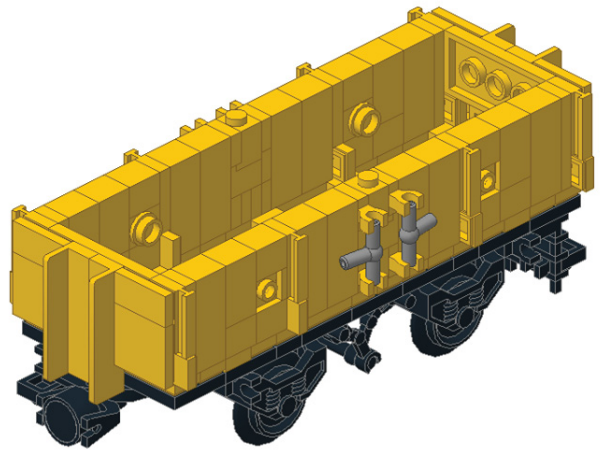




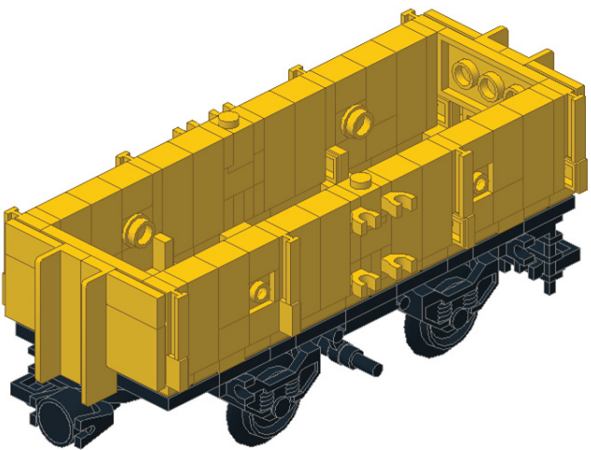
19 1x



20 2x



21



22 2x

